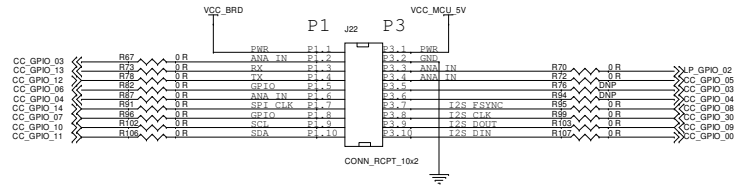


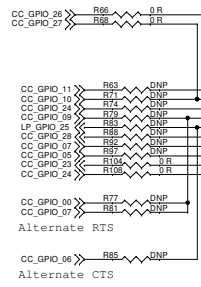
ONLY ONE FLASH USED ON BOARD

		Texas Instruments 66/3 Bagmane Tech Park CV Raman Nagar Bangalore		
Approval		Date		Title CC3200-LAUNCHXL
Designer	TI	Date		
Drawn By	TI	Date	Size A2	Project No <Project Number>
Layout	TI	Date	Scale	Date Wednesday, April 22, 2015
				Rev 4.1C
				Sheet 1 of 5

BOOSTER PACK INTERFACE

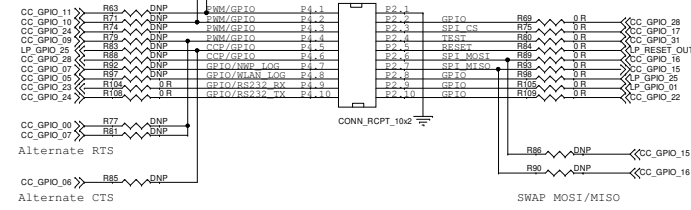


For Antenna diversity

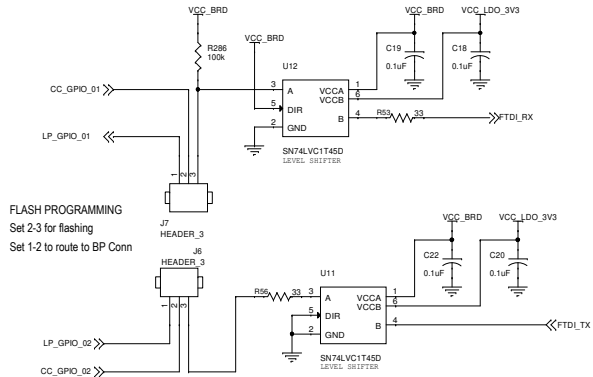


P4

P2

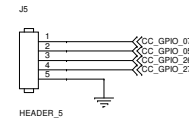


UART MUXING



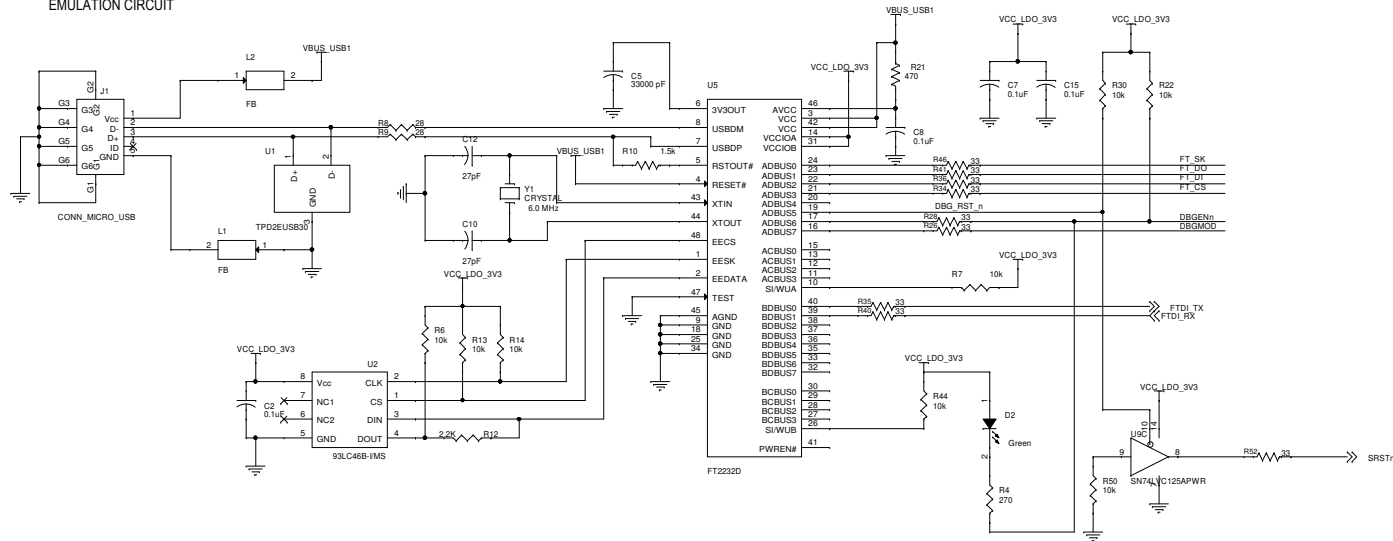
TEST POINTS

OBSERVE NWP & MAC LOG

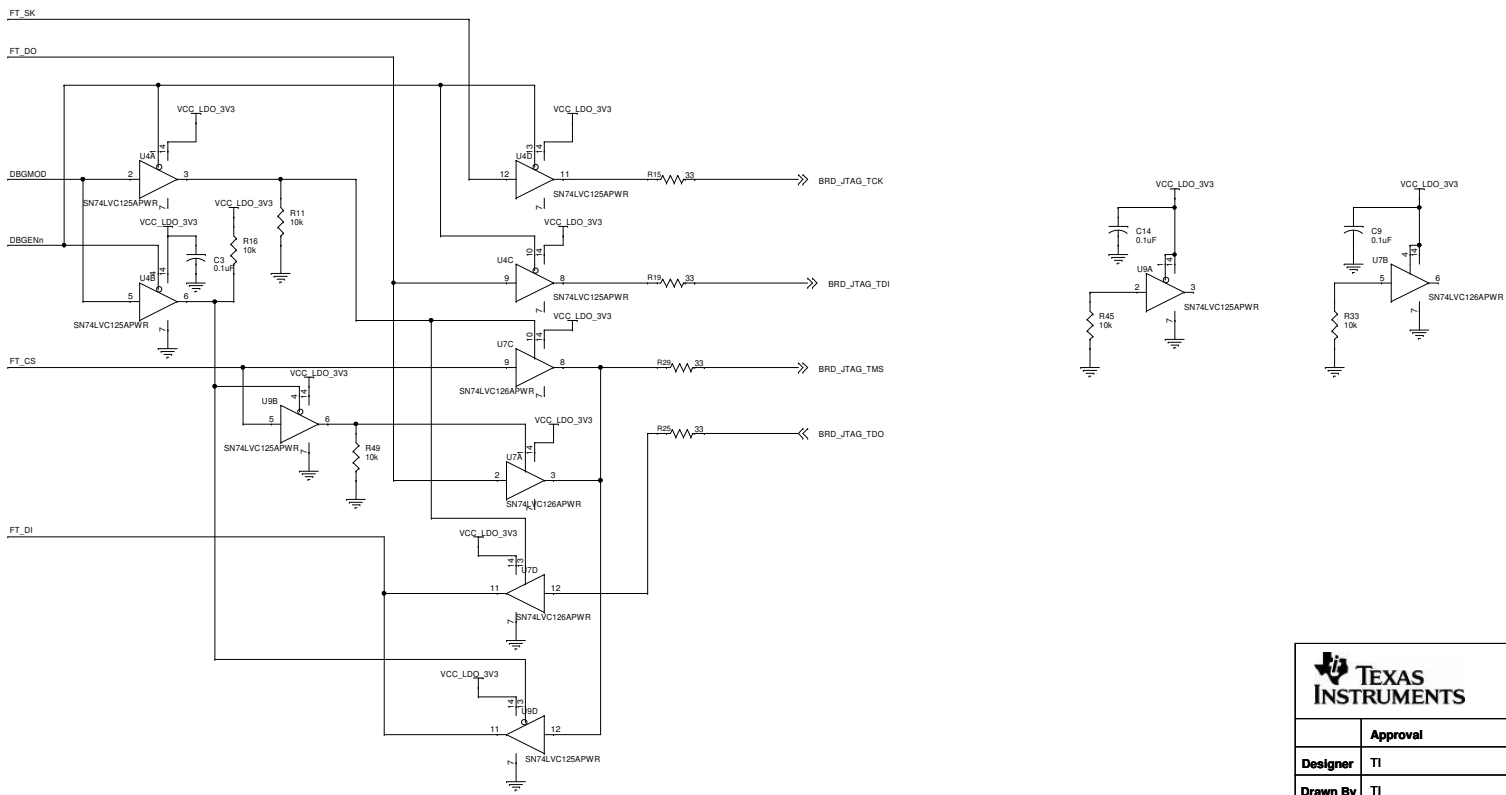


		Texas Instruments 66/3 Bagmane Tech Park CV Raman Nagar Bangalore			
		Title CC3200-LAUNCHXL			
Approval	TI	Date	Date		
Designer	TI	Date	Size A2	Project No <Project Number>	Rev 4.1
Drawn By	TI	Date	Scale	Date Wednesday, April 22, 2015	Sheet 2 of 5
Layout	TI	Date			

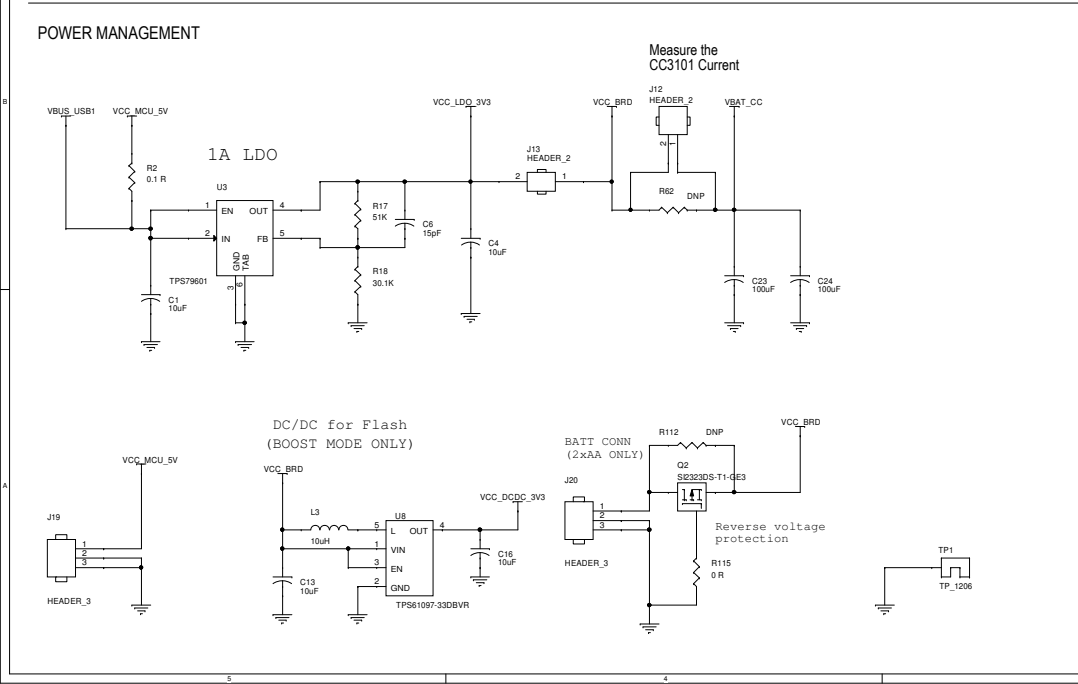
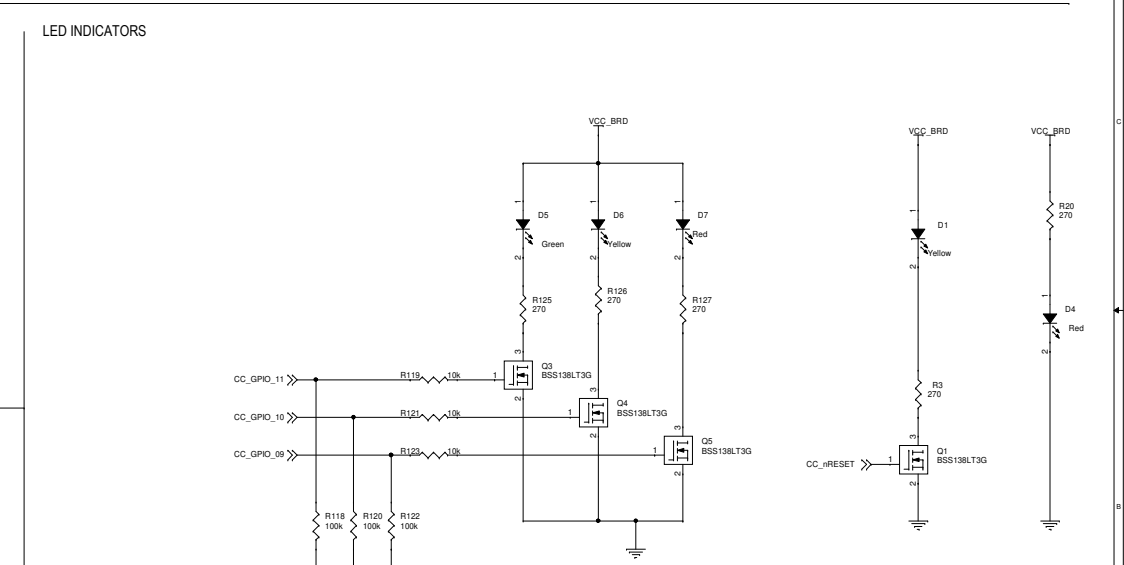
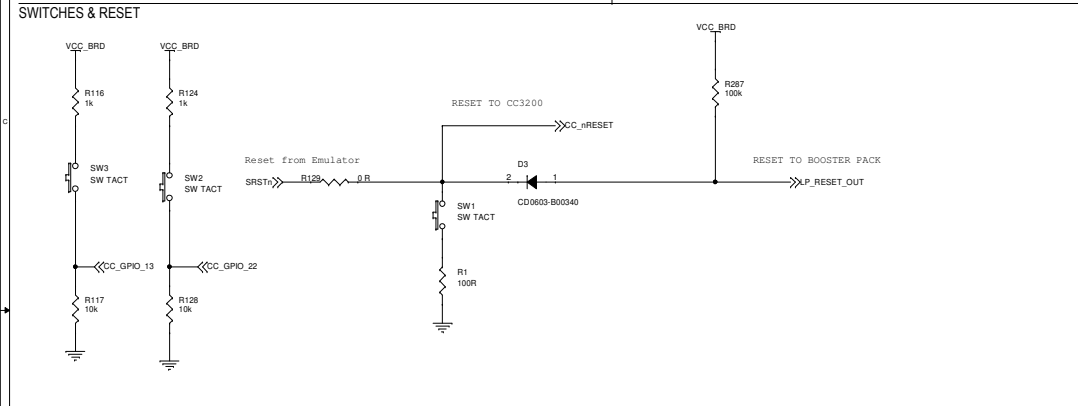
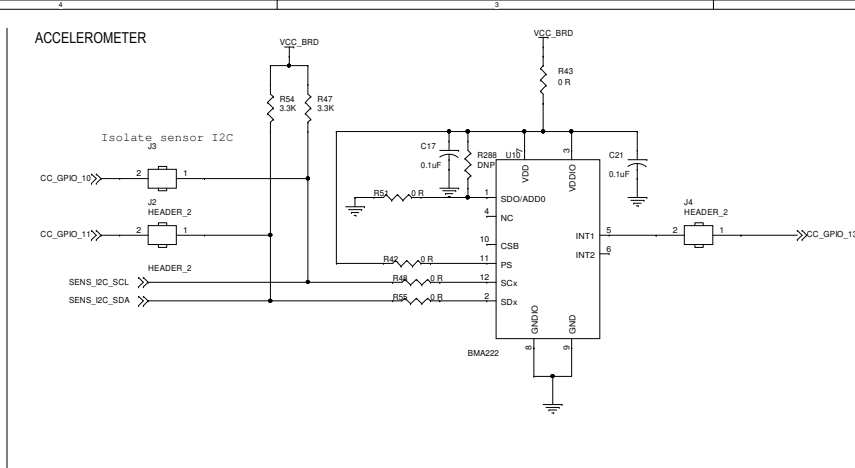
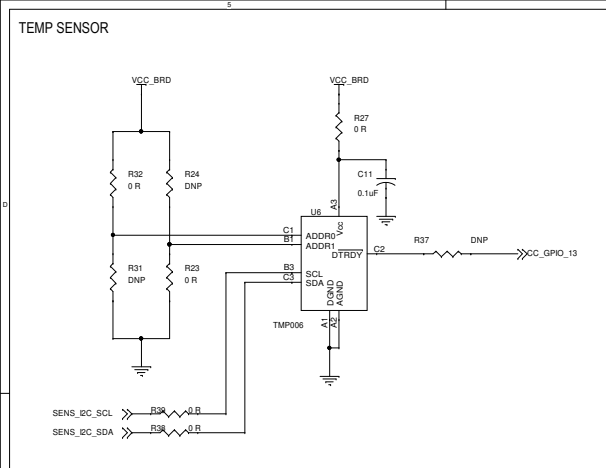
EMULATION CIRCUIT



JTAG/SWD SWITCH



		Texas Instruments 66/3 Bagmane Tech Park CV Ramanagar Bangalore			
		Approval TI	Date Date	Title CC3200-LAUNCHXL	
Designer TI	Date Date	Size A2	Project No <Project Number>	Rev 4.1	
Layout TI	Date Date	Scale	Date Wednesday, April 22, 2015	Sheet 3 of 5	



		Texas Instruments 66/3 Bagmane Tech Park CV Raman Nagar Bangalore		
		Title CC3200-LAUNCHXL		
Approval	TI	Date		
Designer	TI	Date	Size A2	Project No <Project Number>
Drawn By	TI	Date	Scale	Rev 4.1
Layout	TI	Date	Date Wednesday, April 22, 2015	Sheet 4 of 5

Board Revision control naming convention
 X.Y-Z (X= schematic ver, Y = layout version (include silk changes), Z = BOM variant)

Revision history

=====


Changes in Rev 4.0-A

1. Add pull-ups and pull-down resistors for the serial flash
2. Move the nRESET pull from VCC_BRD to VBAT_CC
3. Add pull-up on UART_TX going to the FTDI to prevent false start bits.
4. Add pull-up resistor for Acccelerometer address to avoid conflict with Audio Booster pack
5. Add 100K pull-up on RESET_OUT net for any BP without RESET pulls.
6. Change R61 to 2.7K, R57-> 270 Ohms

Rev 4.1-B

=====

1. Changed the s-flash from Micron to Winbond

			Texas Instruments 66/3 Bagmane Tech Park CV Raman Nagar Bangalore																				
			<table border="1"> <tr> <td></td> <td>Approval</td> <td>Date</td> <td colspan="3" rowspan="2">Title CC3200LAUNCHXL</td> </tr> <tr> <td>Designer</td> <td>TI</td> <td>Date</td> </tr> <tr> <td>Drawn By</td> <td>TI</td> <td>Date</td> <td>Size A3</td> <td>Project No</td> <td>Rev 4.1 C</td> </tr> <tr> <td>Layout</td> <td>TI</td> <td>Date</td> <td>Scale</td> <td>Date Wednesday, April 22, 2015</td> <td>Sheet 5 of 5</td> </tr> </table>				Approval	Date	Title CC3200LAUNCHXL			Designer	TI	Date	Drawn By	TI	Date	Size A3	Project No	Rev 4.1 C	Layout	TI	Date
	Approval	Date	Title CC3200LAUNCHXL																				
Designer	TI	Date																					
Drawn By	TI	Date	Size A3	Project No	Rev 4.1 C																		
Layout	TI	Date	Scale	Date Wednesday, April 22, 2015	Sheet 5 of 5																		